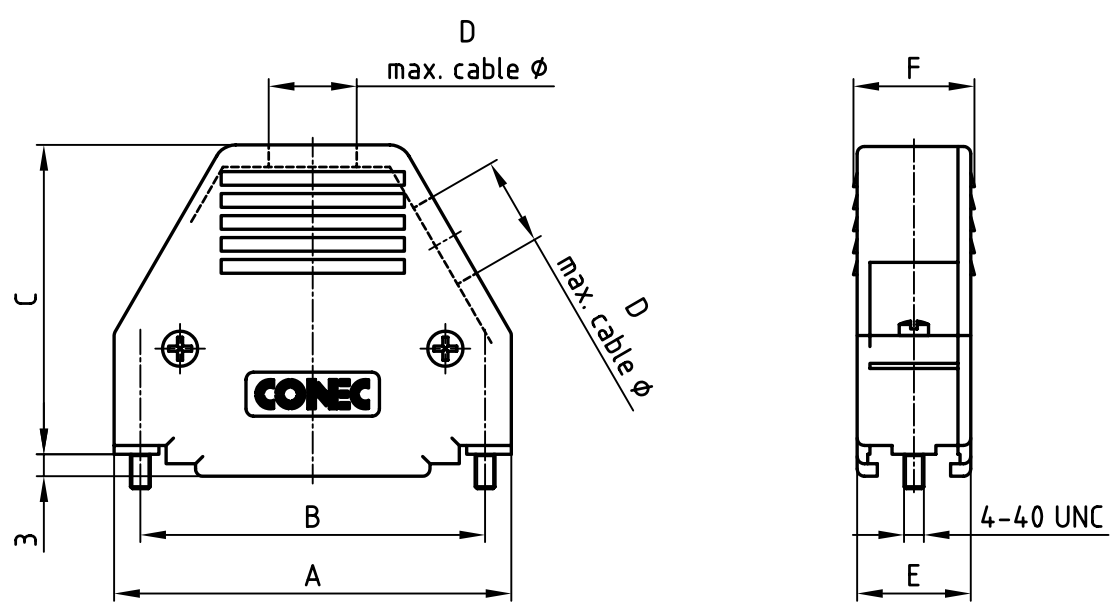


used for: D-SUB



(b)

POS.	A	B	C	D max. cable ø	E	F	Part No. Single package
9	32.0	25.0	36.7	6.3	15.5	16.5	165X11319XE
15	40.0	33.3	38.2	8.0	15.5	16.5	165X11329XE
25	54.2	47.0	42.2	10.5	15.5	16.5	165X11339XE
37	70.6	63.5	47.2	11.5	15.5	16.5	165X11349XE

**NOTES:**

- HOOD + COVER: ABS UL 94 V-0, METALLIZED
- BLIND PLUG: ABS UL 94 V-0, METALLIZED
- CABLE STRAIN RELIEF: STEEL; NICKEL PLATED
- COUNTERSUNK HEAD SCREW: STEEL; NICKEL PLATED
- JACKSCREW: BRASS; NICKEL PLATED

Directive 2002/95/EC  
„RoHS“  
Compliant

THIS DRAWING MAY NOT BE COPIED OR REPRODUCED IN ANY WAY, AND MAY NOT BE PASSED ON TO A THIRD PARTY WITHOUT WRITTEN PERMISSION. OWNERSHIP AND COPYRIGHT OF CONEC GmbH DO NOT ALTER CAD DRAWING BY HAND

tolerance			
2006	date	name	
drawn	07.02.	Lehmenkühler	
appd.	07.02.	Mickenbecker	
norm			
d-old			
1 x b	Ä 2607	21.11.2006	Lehmen
a	Origin		
rev.	description	date	name



scale:	1:1
material:	SEE NOTES
title:	<b>PLASTIC HOOD</b> 9-37pos. WITH TOP AND SIDE CABLE EXIT with jack screws
dwg no:	AutoCAD 2004
	DIN-A 4
part no:	SEE TABLE

4 3 2 1